

# RHEA 32 OPEN







  
AQUILA



AQUILA  
YACHTING























AQUILA  
YACHTING



BILGE PUMP



FUEL PUMP



CIRCUIT BREAKER



ENGINE BATTERY BREAKER



BUILDER	RHEA MARINE
MODEL	32 OPEN
YEAR	2021
LENGTH	9.80 M
BEAM	3.45 M
DRAFT	0.45 M
ENGINES	2 X SUZUKI 300 CV
CONSUMPTION	80 L/H @ 20 KN 3.4 L/NM
AUTONOMY	176 NM @20KN

## DESCRIPTION

Its large cockpit is secured by a large number of handrails and wide side decks.

The RHEA 32 open has an exterior kitchen block behind the pilot's seat, in front of the cockpit saloon which is organized around a fixed L-shaped bench on the port side, a folding bench on the starboard side and a table.

Inside, a saloon convertible into a bed and a mid-cabin, separated by a toilet.

The deck hatch combined with the opening roof make the forward cabin very bright.

**PRICE: 260 000 € INCL VAT**







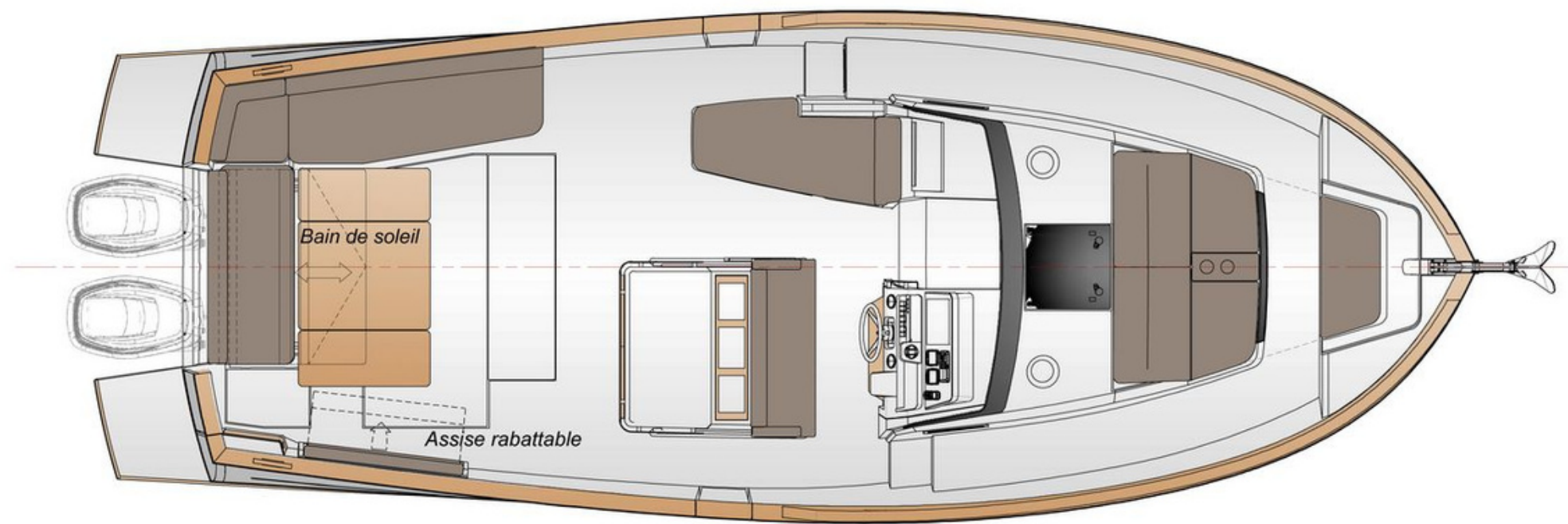
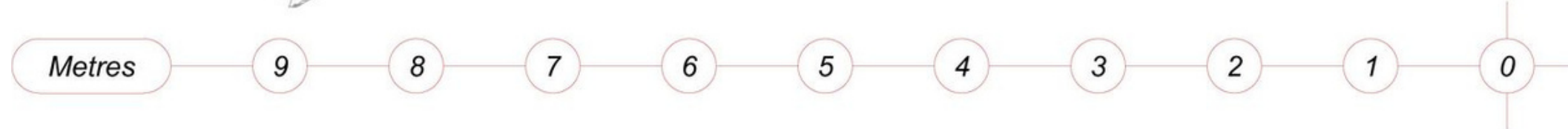
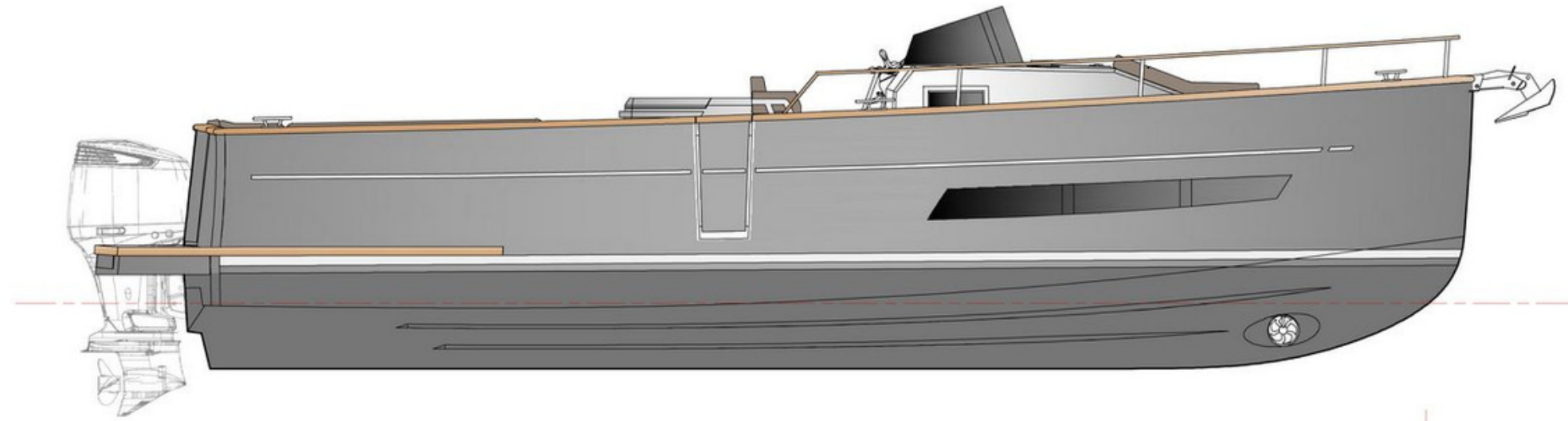
# SPECIFICATIONS

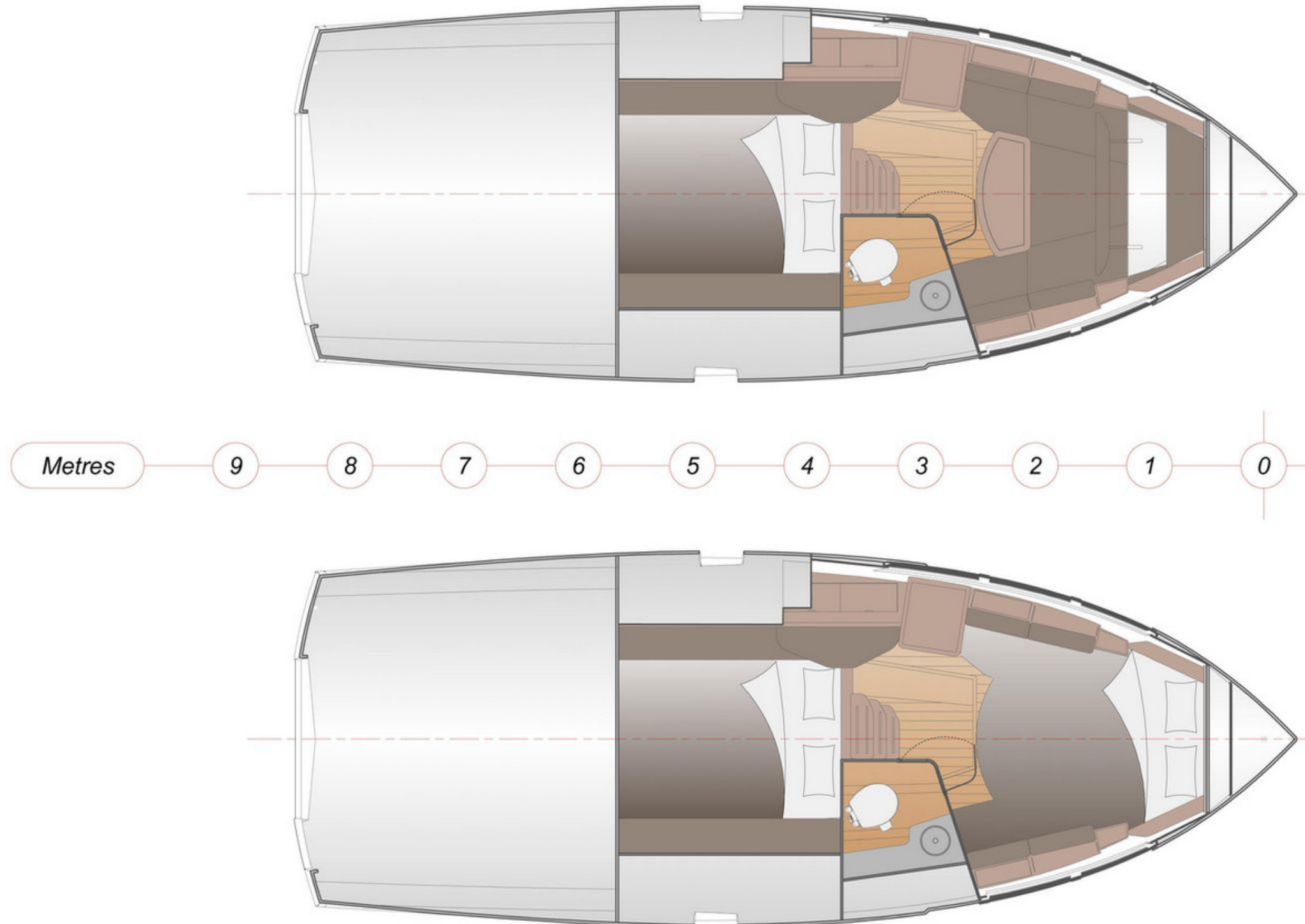
GENERAL INFORMATION		ENGINES	
LOCATION	MANDELIEU	ENGINES HOURS	
FLAG	FRENCH	GENERATORS	/
HULL/SUPERSTRUCTURE MATERIAL	COMPOSITE	GENERATORS HOURS	/
WEIGHT	4.2 T	BOW/STERN TRUSTHERS	ELECTRIC
CRUISE SPEED	20 Kn	LAYOUT	
MAX SPEED	40 kn	GUESTS CABINS	2
FULL TANK CAPACITY	600 L	MAX GUESTS CAPACITY	10
WATER TANK	200 L		



# SPECIFICATIONS

<p>NAVIGATION AND COMMUNICATION EQUIPMENT:</p>	<p>GARMIN VHF</p>
<p>MECHANICAL EQUIPMENT/ ENGINES:</p>	<p>2 X SUZUKI HORS BORD</p>
<p>HOUSEHOLD APPLIANCES/AUDIO - VIDEO SYSTEM</p>	<p>bow thruster</p>







29 Port Camille Rayon  
06220 Golfe Juan  
FRANCE

Contact: +33(0)6 27 68 15 14  
+33(0) 4 93 63 41 64  
Mail: [sales@aquilayachting.com](mailto:sales@aquilayachting.com)

[www.aquilayachting.com](http://www.aquilayachting.com)

